
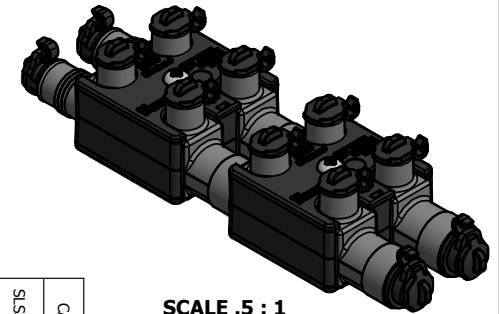
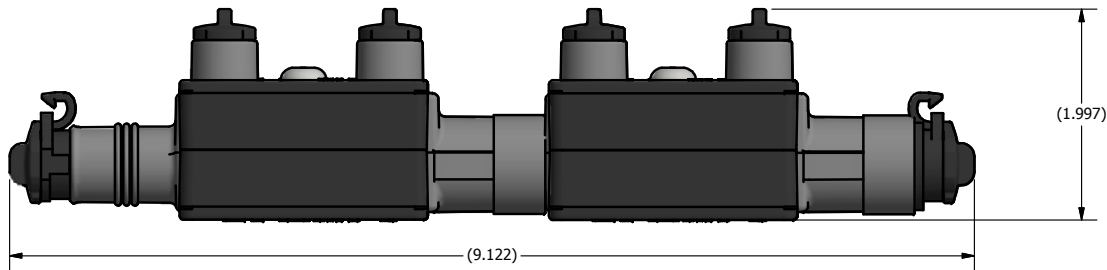
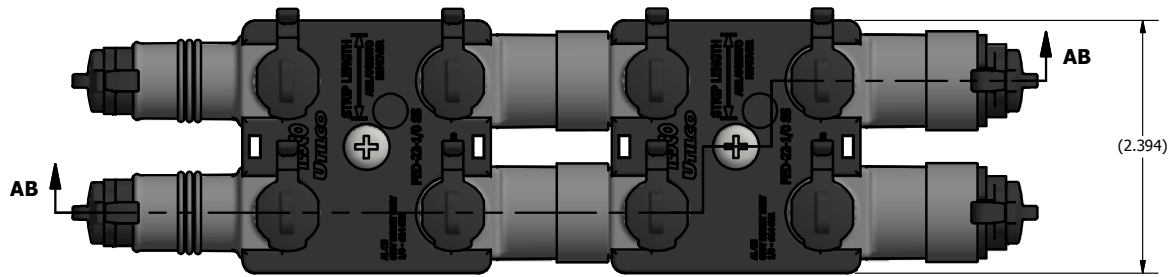
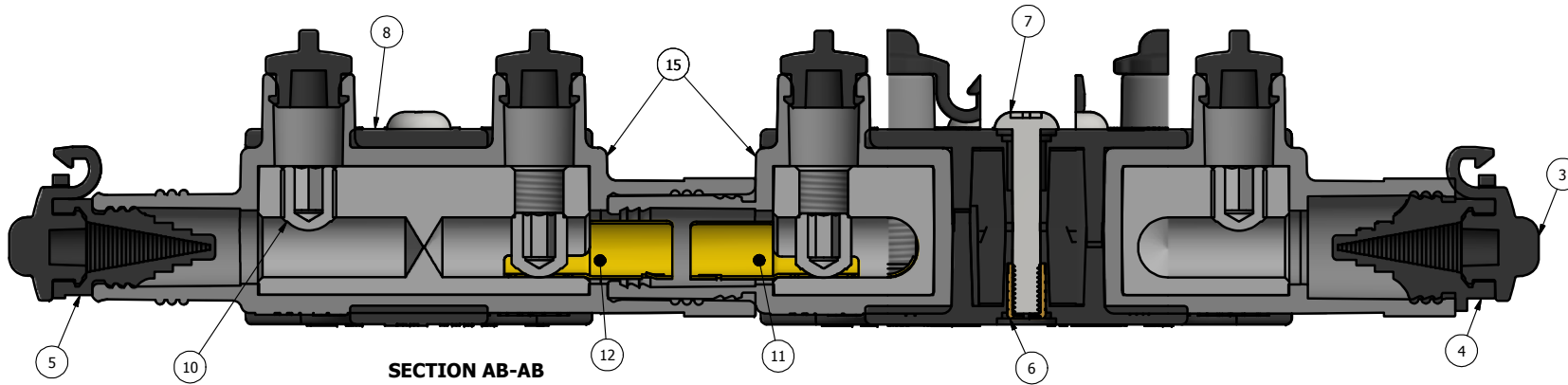


SCREW: E1376	MATERIAL: MULTIPLE	REV: D	
CAT. NO.: SEE CHART	PLATING: SEE PART	DRAWN BY:DFR SCALE: 1.5 : 1	
INFORMATION SHEET:FORM 230	MARKING: SEE BELOW	DATE:1/18/2016 SIZE: B	
			DWG NO: M8003
			SHEET: 1 OF 1



QTY	NO.	PART NUMBER	DESCRIPTION
4	4	M800B22W	BODY SUB, ASSEMBLY
2	2	R7195C01T	FUSE CLIP RETAINER
2	2	R7195C00T	FUSE CLIP WITHOUT RETAINER
8	8	E1376C00T	AL SCREW 3/8-24 UNF 2A- EL-TIN
4	4	R7191C00A	BODY COVER
2	2	E6147C00Z	10-32 X 1.250 UNF-2A SCREW
2	2	R7193C00A	PRESS-FIT, INSERT
2	2	R7189C00A	WIRE SEAL
2	2	R7190C00A	WIRE SEAL
12	12	R7188C00A	PLUG, WIRE SEAL
SLS522-1/0SSP-Z			
SLS522-1/0SS-Z			
CATALOG #			

THE INFORMATION CONTAINED WITHIN THIS DOCUMENT IS PROPRIETARY TO ILSCO AND MAY NOT BE DISCLOSED WITHOUT PRIOR WRITTEN CONSENT